

ARM Based Wireless Sensor Networks for Temperature Measurement

¹U.Sarojini Devi, ²R.Malikarjun,

¹ II Year M. Tech (ES), ² Asst. Professor, Dept. of ECE, CMR College of Engineering & Technology, Hyderabad, AP

Abstract:-The paper introduces a wireless sensor network (WSN) used for an intelligent temperature measurement system. In the system, temperature signals are acquired by digital multipoint thermometers using arm, and transmitted to the advanced RISC microprocessor (ARM) by using Wireless Fidelity (Wi-Fi) technology. Then they are stored in SD card which is controlled by the microprocessor according to the IIS-bus standard format. The software design of data acquisition is completed in this paper. The progress of transplanting Linux operating system to the ARM hardware platform is described, and the driver programs of SD card and SD Wi-Fi device are developed based on Linux operating system and SD card agreement. A special data storage file system is accomplished for reading and writing SD card. At last, the function of man-machine interaction is accomplished.

KEYWORDS: ARM; Wireless Sensor Network; Wi-Fi; Linux

1. INTRODUCTION

With the development of the science and technology, all kinds of vehicles are becoming more and more. In order to ensure safety, it is needed to supervise temperatures of some key points in vehicles, including the fuel tank, the engine and the speed changer, etc. However, it is difficult to link too many points to the processor through electric wires, and the classical isolated sensors have some disadvantages as follows: slow reaction rate, high measuring errors, complex installation and so on. There is a possible solution to overcome these problems through developing a WSN for an intelligent temperature measurement system. A WSN is a wireless network consisting of many sensor nodes and a control terminal. It could

detect and collect a variety of environmental or object information in the network coverage area, and process the information effectively.

As the core module of the temperature measurement system, the embedded microprocessor Samsung S3C2440, is used. It is a 32-bit, 400MHz, low power consumption and high performance RISC microprocessor with ARM 9 as its kernel, which is particularly suitable for real-time control. Moreover, it supplies SD Wi-Fi device, so there is no need of collocating excess wireless equipment any more.

Besides, the embedded Linux operating system is selected to support the hardware. It is a kind of mature open-source operating system, which is encapsulated in ARM, to accomplish complex algorithms and finish a variety of tasks. Besides, depending on the specific-application, the software system could be also tailored to adapt the requirements

This paper firstly presents the fundamental theory of Wi-Fi based wireless transmission. And secondly introduces the system hardware design, including the system structure, four hardware modules and corresponding functions.

2. FUNDAMENTAL THEORY OF WIRELESS TRANSMISSION

The fundamental theory of wireless transmission talked about in this paper includes: the theory of Wi-Fi-based wireless transmission.

The Theory of Wi-Fi-based Wireless Transmission

In the WSN designed, Wi-Fi-based wireless transmission is a process of radio waves behaving between sensor nodes and the UI after they are transmitted. During the process, there are three types of transmission mechanisms: reflection, scattering and diffraction. Therefore, wireless transmission is also called as multi-path signal transmission. Reflection occurs when radio waves transmitted encounter an object whose dimension is larger than the wavelength. Some of the waves' energy will be absorbed into the obstacle and the remaining energy will be reflected. The energy of the transmitted and reflected waves is a function of the geometric and material properties of the

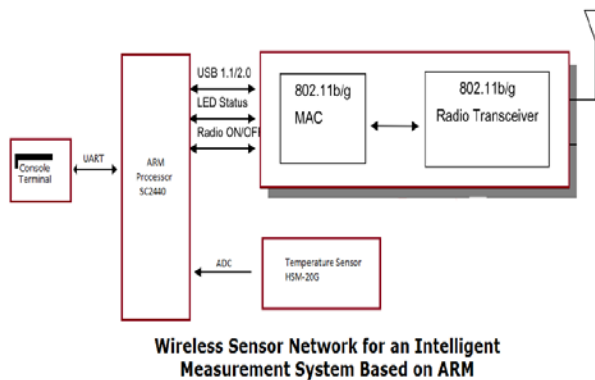
obstacles and the amplitude, phase, and polarization of the incident wave. Scattering appears when radio waves transmitted encounter a large quantity of objects with small dimensions. The reflected energy in a scattering situation is spread into all directions before reaching the receiver. Diffraction occurs when the surface of the obstacle has sharp edges, even secondary waves will appear around the obstacle. Like reflection, diffraction is affected by the physical properties of the obstacles and the characteristics of the incident wave.

3 THE SYSTEM HARDWARE DESIGN

According to module design discipline, the WSN for the temperature measurement system consists of four modules: system core module, data acquisition and transmission module, data storage module and man-machine interaction module.

A. The System Structure

In order to acquire temperatures of many points, a variety of sensor nodes are designed and placed at corresponding positions. Each sensor node consists of a single-chip ARM9, a digital thermometer HSM20G (U3) and a WiFi transmitter. Temperature signals are acquired by the digital thermometer, then sent by wireless means, and transported to the ARM for processing. All above constitutes a WSN, which allows users to fully grasp temperature information in the region to monitor and respond to them. The network architecture of the system is shown in Fig. 1.



B. System Core Module

The system core module includes core microprocessor, Nand Flash and SDRAM. The core microprocessor adopts the ARM(PC) as its CPU, whose configuration is shown in Fig. 2. It supports operating systems Linux.

SDRAM is used for storing program code, and NANDFLASH is used to save the startup code and the file system. The ARM supplies abundant equipments inside to bring down the cost of the whole system and there is no need of collocating excess equipments any more. The buses inside the

ARM9 are all high performance ones designed with larger bandwidth. The functions of integrated circuit include: separate 16KB instruction Cache and 16KB data Cache, MMU virtual memory management, LCD controller, supporting NAND Flash system induction, outside memory controller, 3- channels UART, 4-channels DMA, 4-channels PWM timer, 117 currency I/O interface, 24-channels outer interrupt recourse, RTC with calendar, 8-channels 10bit ADC and touch screen interface, IIC-bus interface, IIS-bus interface, USB mainframe, USB equipment, 2-channels SPI, and interior PLL clock times frequent count. The peripheral equipments inside of the chip are connected with the bus inside of the chip as well.

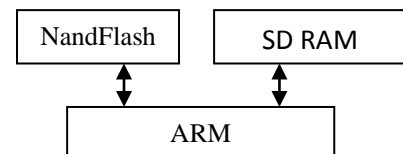


Fig.2 The configuration of the system core module

C. Data Acquisition and Transmission Module

In the WSN designed, the data acquisition and transmission module is a sensor node in fact. As the core of the entire module, the PC plays the control role. Both the Digital Thermometer and the wireless Wi-Fi transmitter are linked to it. The Configuration of data acquisition and transmission module is shown in Fig. 3.

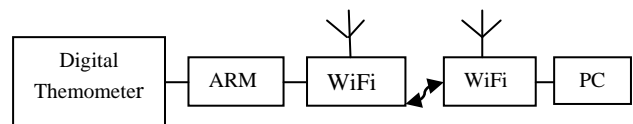


Fig. 3 The configuration of data acquisition and transmission module

1) *Data Acquisition Unit:* The acquisition of temperature signals is realized by the digital thermometer, which is a 1-wire digital thermometer HSM20G. Comparing with the traditional temperature sensors, this has many advantages, mainly including digital counting, direct output of the measured temperature signals in digital form, less temperature error, high resolution, strong anti-interference ability. It has an operating temperature range of -55°C to $+125^{\circ}\text{C}$ and is accurate to $\pm 0.5^{\circ}\text{C}$ over the range of -10°C to $+85^{\circ}\text{C}$. There are two power supply ways for the digital thermometer: the external power supply and the parasite power supply. The parasite power supply will lead to the complexity of the hardware circuit, the difficulty of the software control and the performance degradation of the chip, so the external power supply is selected. This way is accomplished through connecting the digital thermometer to the I/O port of the Microcontroller directly. As shown in Fig. 4, the first pin of the thermometer is

connected to the ground; the second pin serves as signal wire and is directly connected to P0.3 of the PC; the third pin is used for external power supply. R1 is a pull-up resistor. After temperature signals are acquired by the digital thermometer, they are converted into digital ones and stored in the PC temporarily.

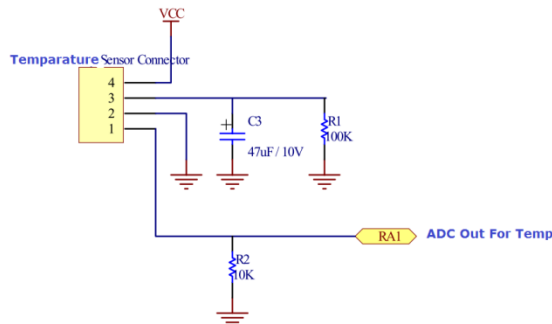


Fig.4 The interface block diagram of HSM20G

2) *Data Transmission Unit:* In the WSN, the data in the ARM9 is transmitted to the PC by the WiFi-based wireless means. WiFi-based wireless technology has some outstanding advantages: the broader coverage, the lower cost, the ability of facilitating the up-grad, etc. It can work in the bandwidth of near 2.4 GHz which do not need any permission for use. Its maximum communication rate can reach 11 Mb/s, the transmission radius reaches 300 m outdoor and 100 m indoor. All WiFi devices in such WSN are separated into two kinds according to the usage: one is used as the receiver and the others are all the transmitters. The receiver has been integrated on the development board and each of the transmitters is connected to the corresponding single-chip through linking its USB of the single-chip. The interface block diagram of Wi-Fi transmitter is shown in Fig. 5. Temperature data stored in the single-chips temporarily are sent into the transmitters, and then transmitted out.



Fig. 5 The interface block diagram of Wi-Fi transmitter

3) *Wireless Communication Standards:* Wi-Fi-based wireless communication belongs to the short-range wireless technology, whose current communication standards include: IEEE 802.11a, IEEE 802.11b, IEEE 802.11g and IEEE 802.11n, etc. The widely-used one in them is IEEE 802.11b, which can provide the credible data transmission and reasonable network bandwidth by using the protocol and the packet acknowledgement linking Ethernet. Therefore, IEEE 802.11b standard is selected in this WSN .

D. Data Storage Module

After the audio signals are received, SD card is selected store them. The storage technology of SD card is the de facto industry standard for consumer electronic devices. SD cards are used in standard and high-capacity formats along with a variety of speed classes. SD card has four data wire interfaces (DATA0:3), one clock wire interface (CLK) and one command wire interface (CMD), they are all linked to the PC. SD card supports 1-wire and 4-wire reading/writing operating modes [13]. When 1-wire operating mode is supported, DATA0 is used for serial data transmission, DATA1 works as an interrupt interface, the highest rate of transmission reaches 25Mbps. When 4-wire operating mode is supported, DATA0:3 are all used for serial data transmission, the highest rate of transmission is 100 Mbps.

E. Man-machine Interaction Module

In order to realize the function of man-machine interaction, it is necessary to display temperature information through screen. In the system, is linked to the ARM9.

4. THE SYSTEM SOFTWARE DESIGN

The embedded Linux operating system is mainly used for controlling data processing devices as well as user operation interfaces. The Linux software system is a kind of mature open-source operating system. It has been applied to a wide range of embedded hardware platforms, and possesses highly efficient and stable kernel.

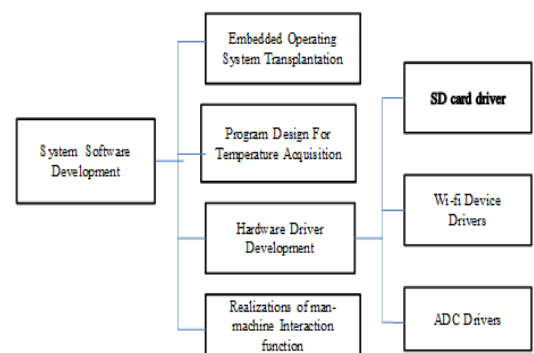


Fig.7 Software development flow chart

CONCLUSION

In this paper, a WSN used for an intelligent temperature measurement system is introduced, and the hardware and Software architectures are described in detail.

In the system, Wi-Fi-based wireless communication technology is used. It has outstanding advantages, including broader coverage (10000_ m² indoor and 90000_ m² outdoor) and higher transmission rate (11Mbps). All the data wire interfaces (DATA0:3) of SD card can be used for serial data transmission, the highest rate of transmission reaches 100Mbps. The system fully makes advantage of SD card's characteristic of huge and long-time storage, remedying the defect of Nor Flash's small storage in ARM. Long-distance control is accomplished the huge data stored in SD card can be transferred to the control center.

REFERENCES

- [1] Qingdong Wang and Jianfeng Wei, "Design of Temperature Control Device Underground Coal Mine Based on AT89S52," The 2nd ICPEITS, 2009, pp.36-39.
- [2] Jianglei Lu, Guanglong Wang, Jianhui Chen, Peng Qiu, "Design of Intelligent Voice Recording Instrument Based on ARM Microprocessor," Instrument Technique and Sensor, 2009, pp.42-45.
- [3] Wenbin Huang, Guanglong Wang, Fengqi Gao, Min Gao and Jianhui Chen, "Research of Huge Storage Device for Audio Signals Based on Embedded Linux Operating System," The 3rd ICCNT, 2011, pp.350- 353.
- [4] Muzaiyanah Hidayab, Abdul Halim Ali and Khairul Bariah Abas Azmi, "Wifi Signal Propagation at 2.4 GHz," The 2009 IEEE, pp.528-531.
- [5] Tommy Szalapski and Sanjay Madria, "Real-Time Data Compression in Wireless Sensor Networks," The 11th ICMDM 2010, pp.307-308.
- [6] T. S. Rappaport, "Wireless communications principles and practices," Prentice-Hall, 2002.
- [7] Shouqian Yu, Weihai Chen, Li Li, and Jianglei Qin, "Development of ARM-based Embedded System for Robot Applications," 2006 ICENT, 2006, pp.101-105.
- [8] Pengfei Li, Jiakun Li and Junfeng Jing, "Wireless temperature monitoring system Based on the ZigBee technology," The 2nd ICCET, 2010, pp.160-163.
- [9] Wentian Huang and Jinping Li, "Research and design of intelligent temperature control system," The 2nd IWETCS, 2010, pp.538-541.
- [10] Xihai Zhang, Junlong Fang and Xiao Yu, "Design and Implementation of Nodes Based on CC2430 for the Agricultural Information Wireless Monitoring," The 2nd ICCET, 2010, pp.255-258.
- [11] Rashid A. Saeed, Hafizal Mohamad, Borhanuddin Mohd. Ali and Mazlan Abbas, "WiFi/WiMAX Heterogeneous Seamless Handover," The ICBROADCOM, 2008, PP.170-174
- [12] Qing Wu, Weihua Hu, Zhiling Hu, Hongbiao Xie, "A Linux-based Development and Application of Automatic Test System," The 9th ICYCS, 2008, pp.2481-2484.
- [13] Yu Zhang, Zhishan Wang and Jinhua Li, "Design a Wireless Temperature Measurement System Based on NRF9E5 and DS18B20," The ICMTMA, 2010, pp.910-1913.
- [14] Hua Li, Fei Gao, Lei Sun, "Embedded Linux Device Driver Research," Embedded Software Application, 2010, pp.71-73.
- [15] Hongjiang He Yamin Zhang, "Research on Vehicle Travelling Data Recorder Based on Radio Frequency Identification", 2009 ICIMA, 2009, pp.232-235.
- [16] Karla Felix Navarro and Elaine Lawrence, "WSN Applications In Personal Healthcare Monitoring Systems: A Heterogeneous Framework," The 2nd ICeTELEMED, 2010, pp.77-82.
- [17] Hyun-Jin Kim and Junmo Yang, "The Practical System Architecture for the Wireless Sensor Networks," The ICMUE, 2008, pp.547-551.
- [18] Bo Feng, Junfeng Wang, Youxiao Sun, Lina Wang, "The Application and Design of Embedded Wireless Sensor Networks," The CCDC, 2010, pp.142-144 .
- [19] Hua Li, Fei Gao, Lei Sun, "Embedded Linux Device Driver Research," Embedded Software Application, 2010, pp.71-73.